



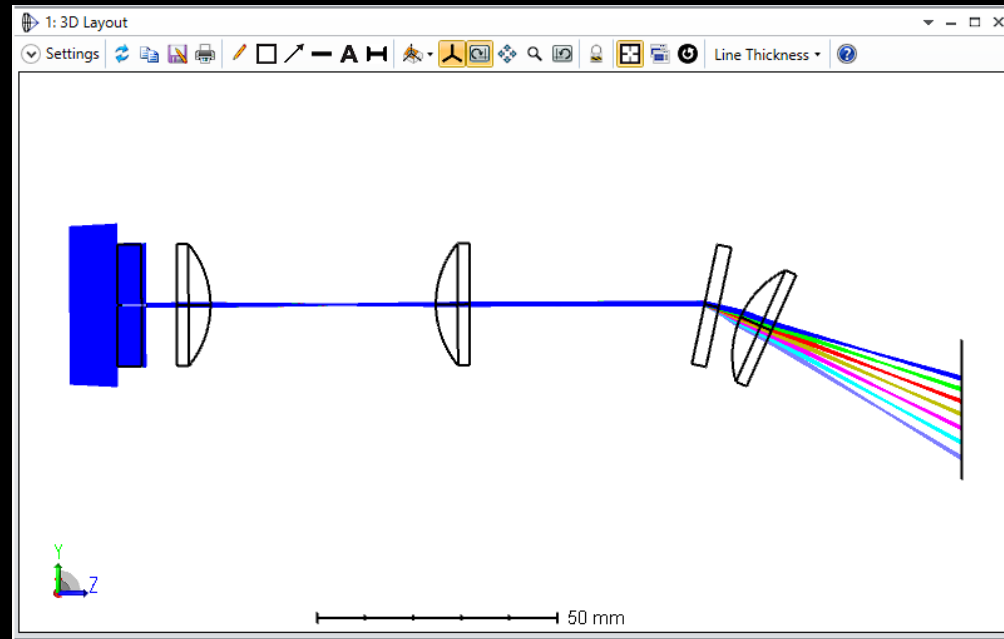
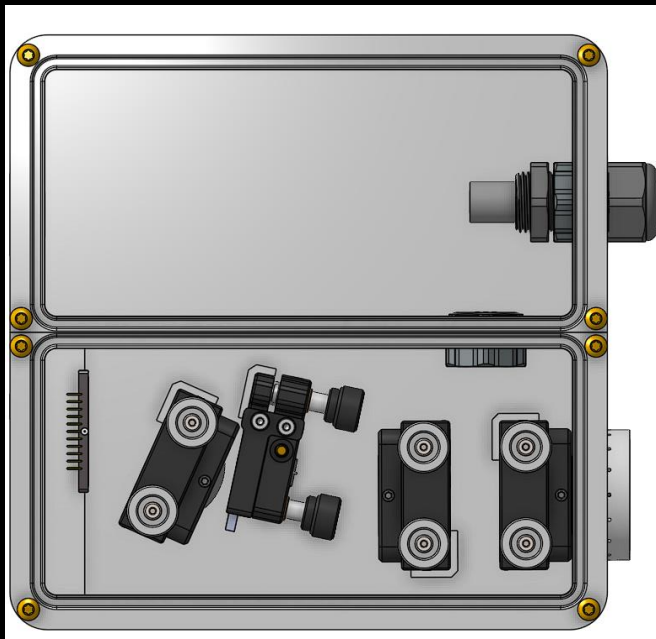
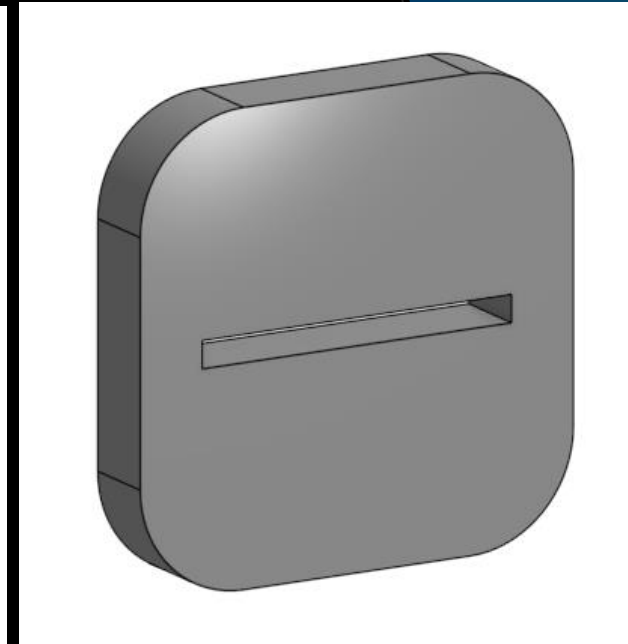
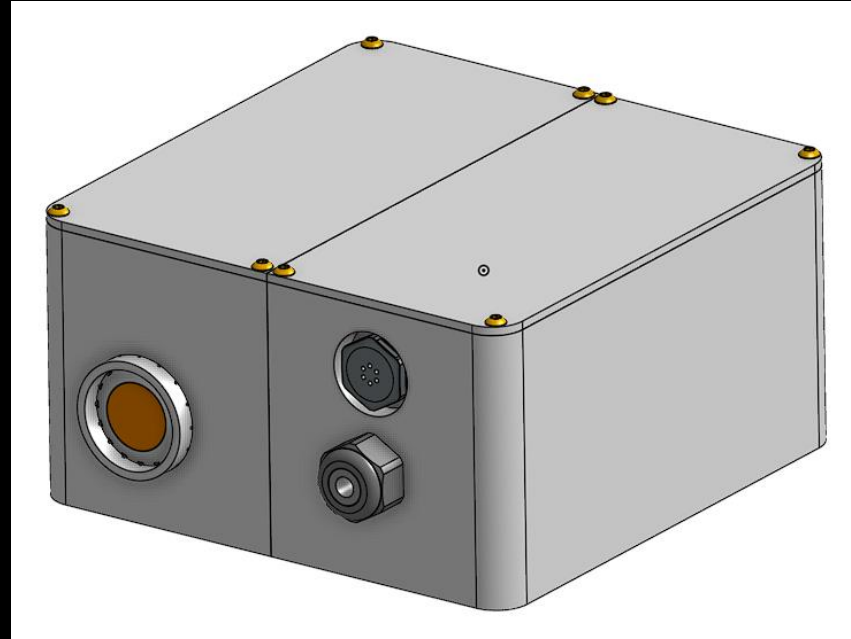
Spectral Forest

Hardware Status Update – 67% build

ME 486C Section 01

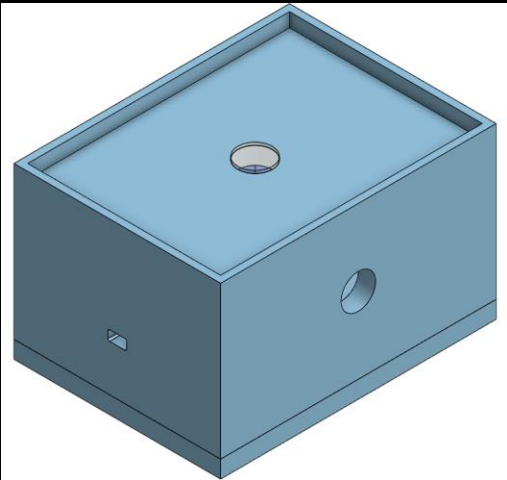
Team: Tyler Lerew, Torrey King, & Derrick Doan

Design Effort

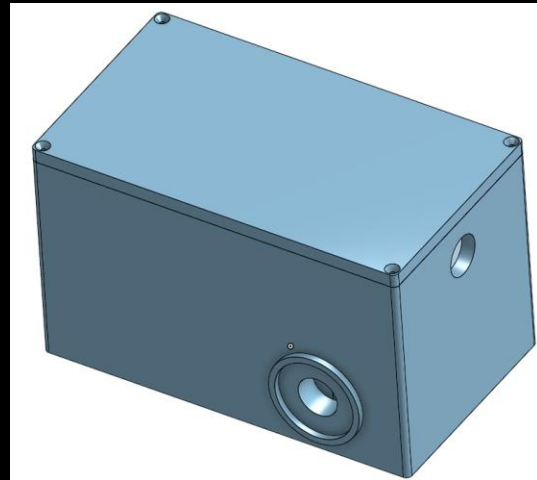


Overall Iterations

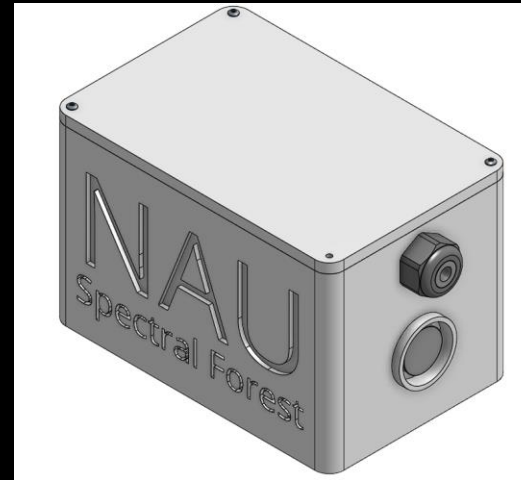
1st & 2nd



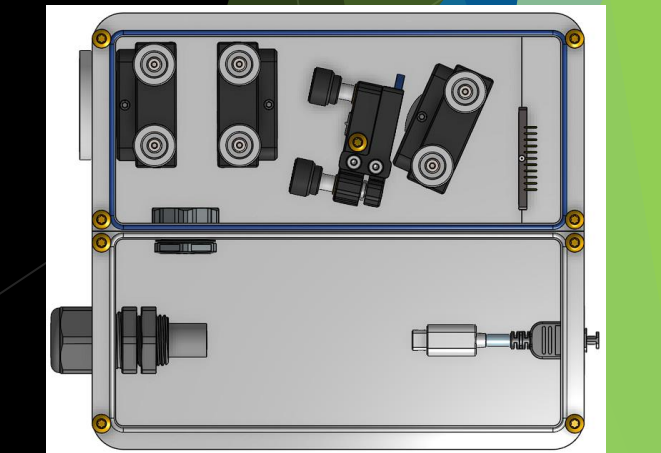
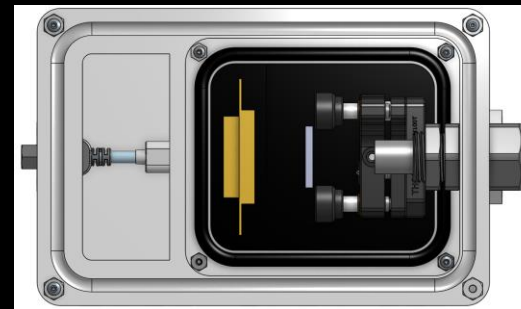
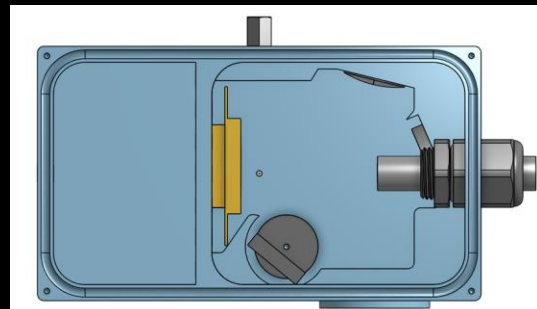
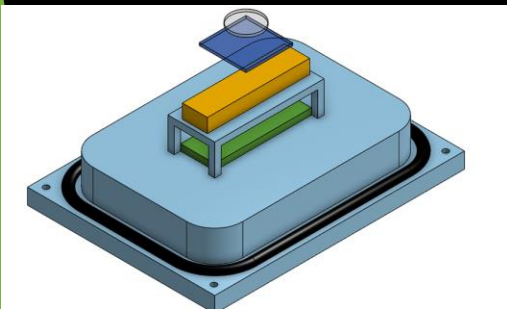
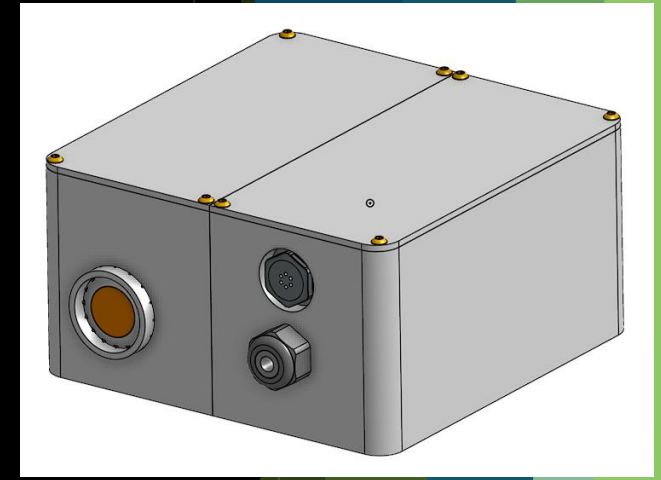
3rd



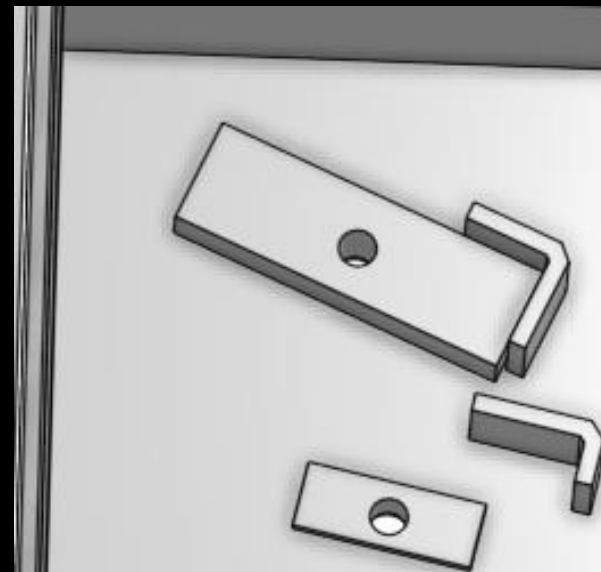
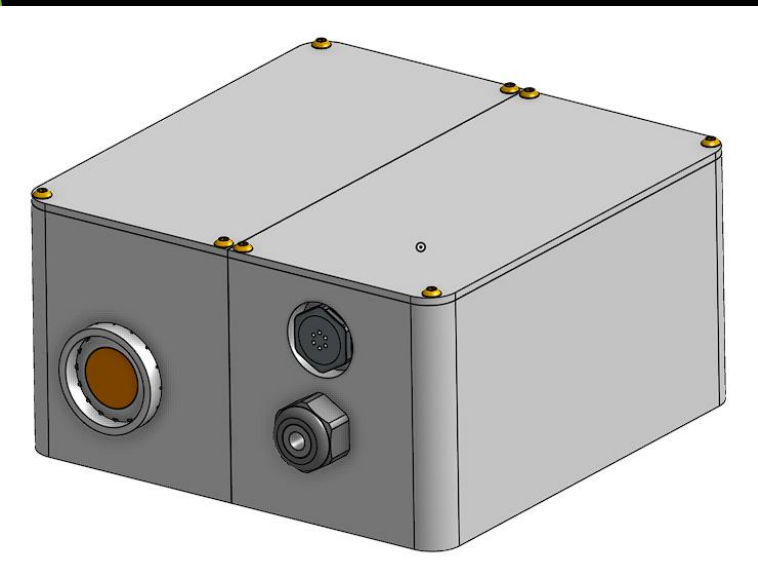
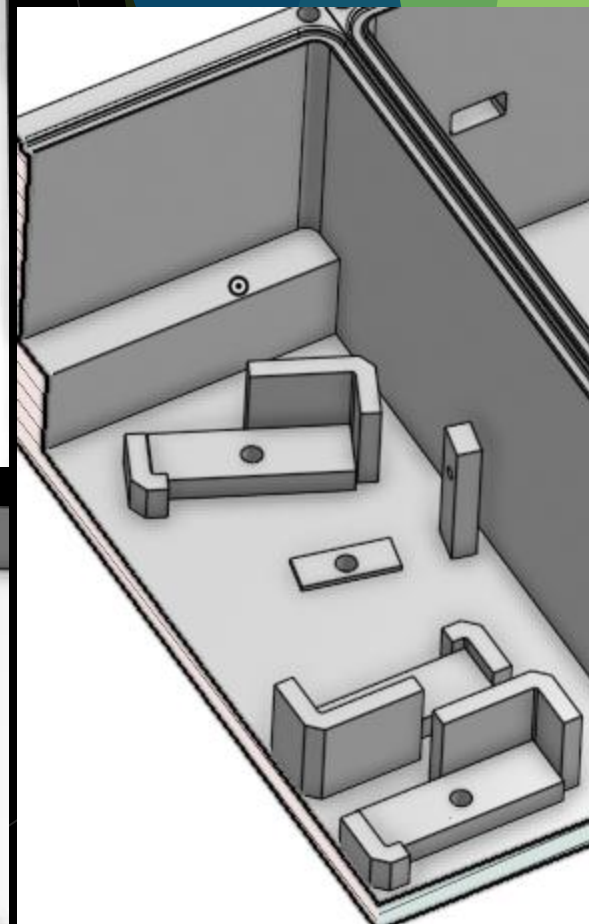
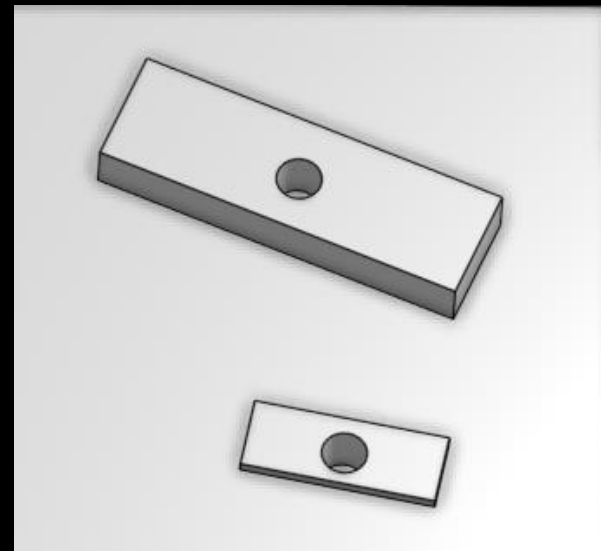
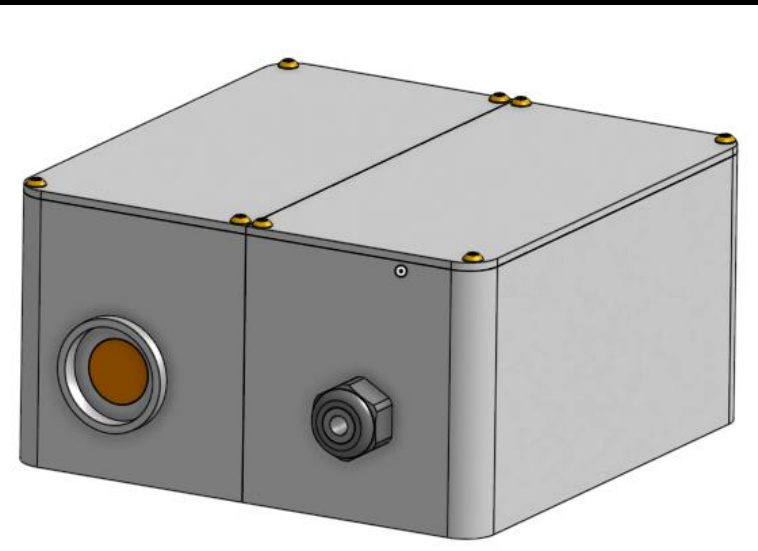
4th



5th



Recent Changes



Purchasing Plan

Progress							
Purchased	Received	Not Ordered	Assembled	Total Cost	Total Weight (oz, lbs)		
100.0%	58.3%	0.0%	0.0%	\$ 4,303.61	63.65	3.98	

% of recieved by item	66.7%
% of recieved by cost	59.4%

Manufacturing Plan

Manufactured: 1st iteration of full enclosure and fit tests

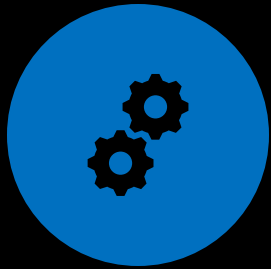
Currently being manufactured:
Milling mounts to 'lightweight' them

Yet to be manufactured: More versions of the box and test jigs

Manufacturing Rows from BOM

Bill of Materials: Manufactured Items						
Item #	Item	Item Description	Vendor & Part #	Quantity	Cost \$	Cost Per unit \$
1	Final 3D printed device	Will house all internal components	In house	1	N/A	N/A
2	Prototype device #2	Will be used for testing purposes	In house	1	N/A	N/A
3	Prototype device #3	Will be used for testing purposes	In house	1	N/A	N/A
4	Lightweighting Mounts	To decrease weight	Machine Shop	4	N/A	N/A
5	Testing jigs	To line up light sources or mounts	In house	2 to 4	N/A	N/A

Demo



MOUNTS



LENSES



ENCLOSURE

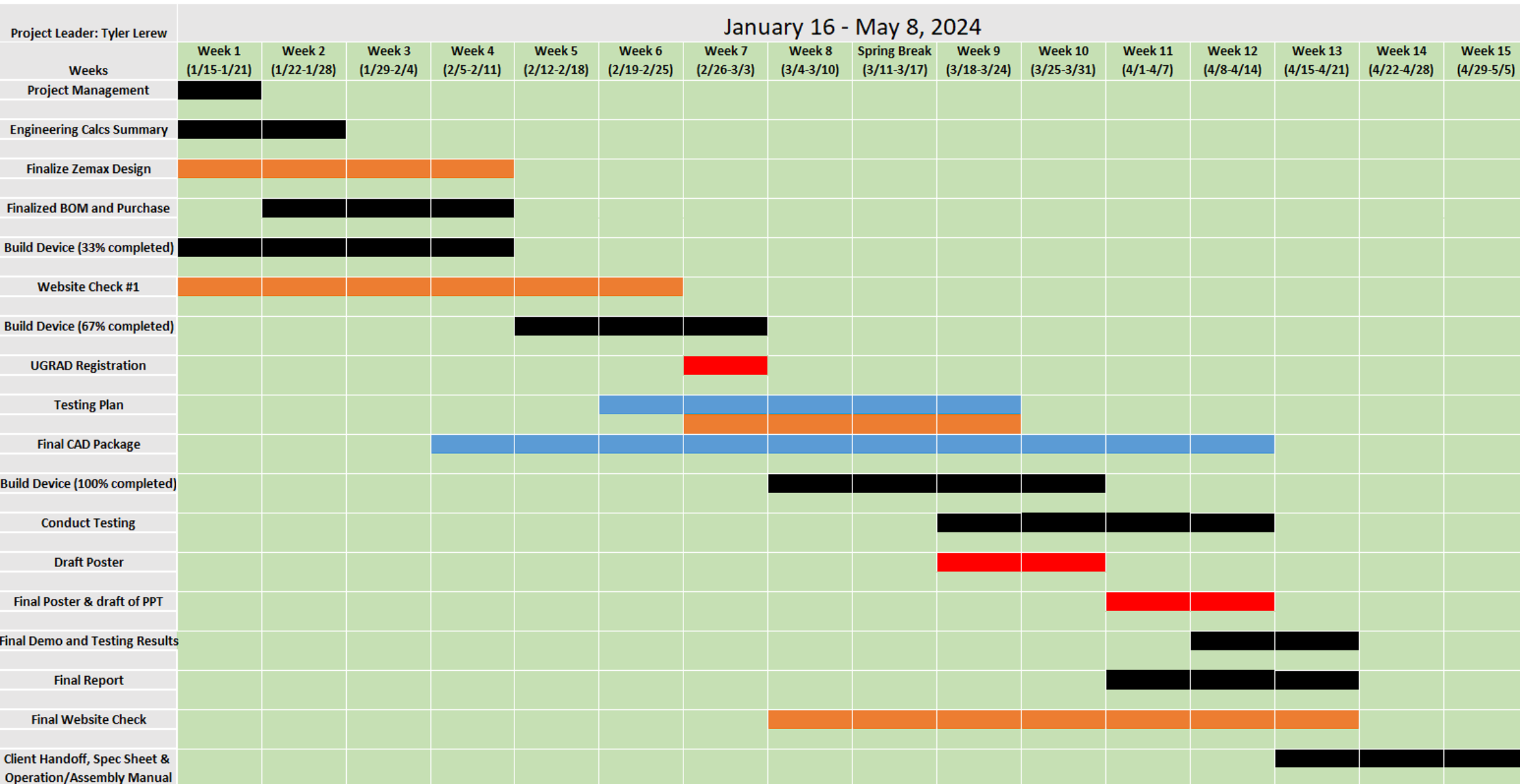


MISC. TOOLS AND
HARDWARE FROM HD

Gantt Chart

- ▶ On or ahead of schedule depending on the swiftness of the delivery of our items
- ▶ Only roadblock is the hold up with package processing in the dean's office, must wait

Spectral Forest Gantt Chart



Derrick Doan	Yellow
Torrey King	Orange
Tyler Lerew	Blue
Everyone	Black
All UGRAD	Red



Thank you!

Questions?